

Brice™

The MAN370VKBV manual slicer is a heavy duty slicer with a large slicing capacity, perfect for bacon and fresh meats. The powerful motor and gear-driven blade mean the MAN370VKBV can operate in even the busiest high-volume delicatessen or butchers.

- **Gear Drive**
Powerful, heavy duty operation with fan-cooled motor for continuous service
- **Comprehensive electrical and mechanical safety features**
- **Large slicing capacity**
Ideal for larger portions of meat.
- **Built in sharpener**
Easy operation means great cuts every time
- **Easy cleaning**
Machine disassembles quickly for effective cleaning
- **CE approved**



Model

MAN370VKBV

Vertical Slicer



Heavy Duty; Gear-driven; Manual Operation

Model MAN370VKBV Vertical Slicer

CE Approved

The MAN370VKBV Vertical slicer has been designed especially for slicing fresh meat.

With its large capacity meat table, the versatile 370VKBV can handle any meat product – from small salami and sausages, up to full size sides of bacon.

- Manufactured in stainless steel and anodised aluminium to resist the corrosive effects of salts and acids;
- Constructed for easy and friendly cleaning;
- Micrometric adjusting knob allows for cutting of slices up to 24mm
- Built-in dual action sharpener ensures a long lasting razor sharp knife;
- Forced ventilation to motor;
- Gear driven blade;
- CE Approved.

SPECIFICATIONS

Blade (mm)	370
Motor	240V single phase, 50Hz, 290W
Dimensions WxDxH (mm)	686 x 845 x 569
Slice Capacity	
Rectangular (mm)	320 x 260
Circular/Diameter (mm)	260
Max. Slice thickness (mm)	24
Net weight (kg)	55
IP Rating	IPx3 (Motor IPx5)



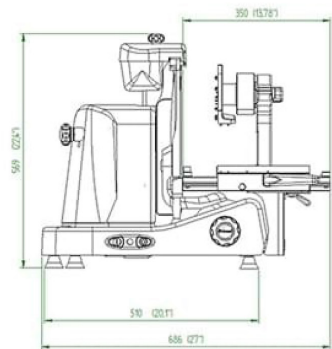
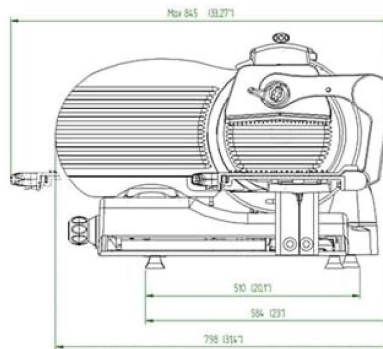
The built-in sharpener is simple and safe to operate.



Precision slicing with the micrometric slice thickness knob.



The generously-sized meat tray can handle whole sides of bacon, and the smooth double-action movement reduces slicing effort.



Brice Australia Pty. Ltd. ABN 71 413 589 669
100% Australian owned and operated
Copyright ©2019 Brice Australia Pty. Ltd.

BRICE HEAD OFFICE:
11 Holloway Drive, Bayswater,
Victoria 3153 Australia

Ph: 1300 664 880
www.briceaust.com.au
email: info@briceaust.com.au



BA687.370VKBV 9/19